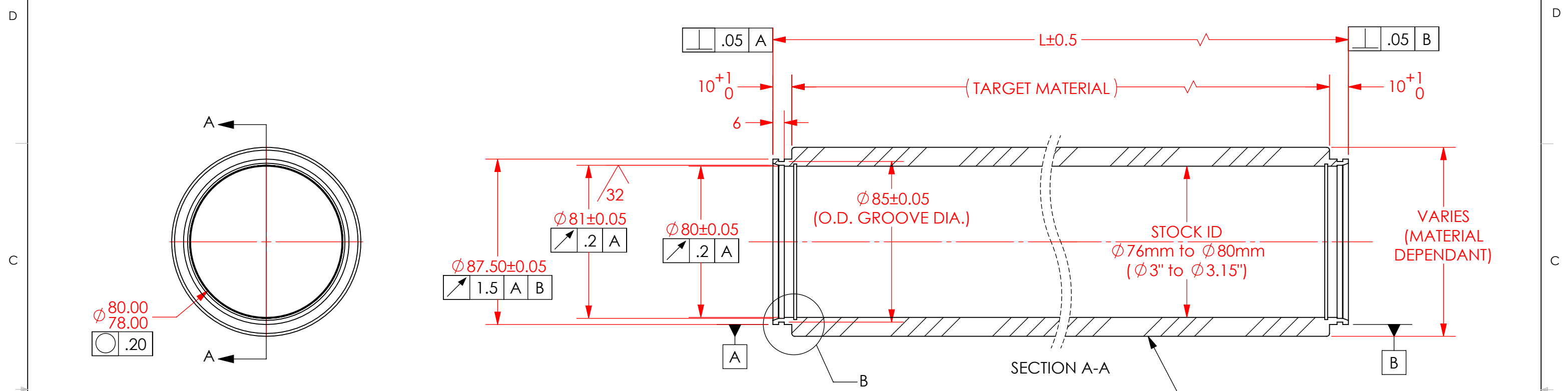
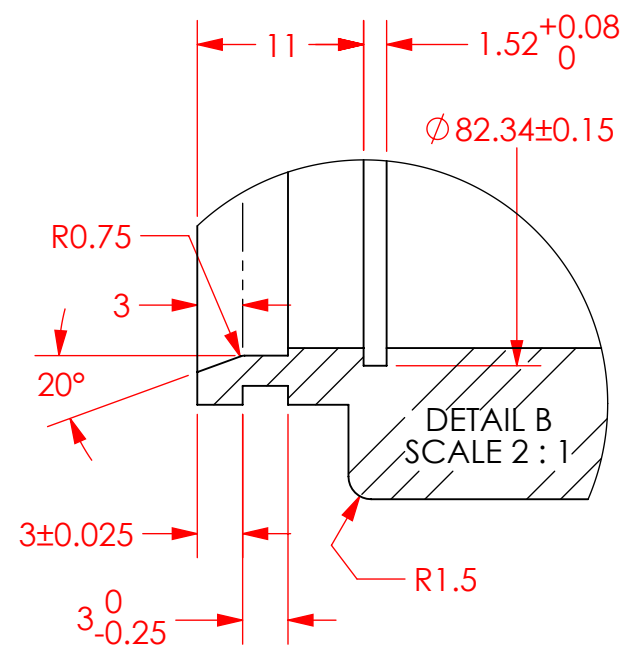
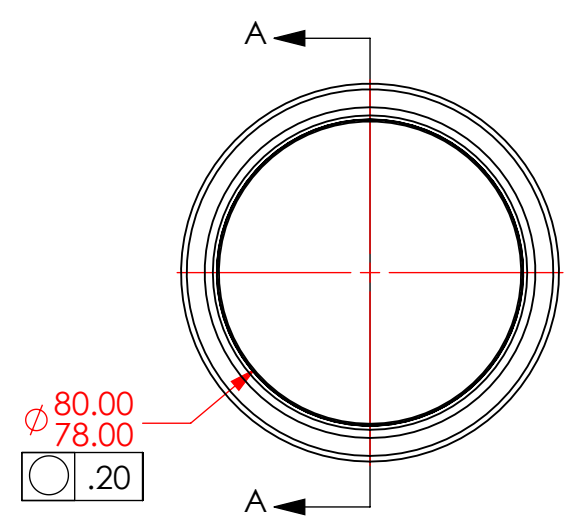


SMALLEY RETAINING RING (108733, VHM-80-S02) IS TO BE PLACED INSIDE THE BOTTOM INTERNAL GROOVE TO KEEP THE MAGNET BAR INSIDE THE TARGET TUBE FOR VERTICAL TARGET CHANGE. GROOVE NOT REQUIRED IF HORIZONTAL TARGET CHANGE.

REVISIONS			
REV.	DESCRIPTION	DATE	APPROVED



NOTE: DIMENSIONS ARE TYPICAL ON BOTH ENDS OF THE PART.



- NOTES:**
- BREAK AND DEBURR ALL EDGES .25mm MAX.
 - CLEAN PART FOR USE IN A VACUUM ENVIRONMENT.
 - PACKAGE PART TO PROTECT FROM DAMAGE AND TO ENSURE CLEANLINESS.

UNLESS OTHERWISE SPECIFIED:		SPUTTERING COMPONENTS, INC.				
BREAK ALL CORNERS .015 Typ.		375 Alexander Dr. SW, Owatonna, MN 55060				
imperial	metric	CONFIDENTIAL: UNAUTHORIZED USE, MANUFACTURE OR REPRODUCTION IN WHOLE OR IN PART IS PROHIBITED.				
X.0 = ± .030	X.0 = ± 1	PROPRIETARY TO: SPUTTERING COMPONENTS, INC.				
0.X = ± .015	0.X = ± .5	TITLE: 80mm ID TARGET, METRIC				
0.XX = ± .010	0.XX = ± .25					
0.XXX = ± .005	0.XXX = ± .125					
WEIGHT		SIZE	DATE DRAWN	PART NO. 80T-M	SCALE	REV
		B	04/28/2015	MOD NO.	1:2	-02
DO NOT SCALE DRAWING	MATERIAL: VARIES		FINISH:		SHEET 1 OF 1	

8	7	6	5	4	3	2	1
program #	op	machine					