

# MM-Series End Block

## FEATURES:

- Customizable drive shaft length
- Very compact and flexible form factor
- Easy access water seal cartridge
- Patented power-delivery technology
- Simple design - fewer parts and highly reliable
- Magnet bar externally adjustable to any angle
- Patented target water fill/drain feature

## BENEFITS:

- All utilities are external
- Utilities remain attached during target changeover
- Wider substrate coverage than traditional internal end blocks
- Fits most chamber designs
- High-power with no inductive heating impact - no brush dust
- High-packing density; dual cathodes in 350mm space
- Drive motors mount up, down, inward or outward
- Simple, in-house maintenance
- Allows co-sputtering, tighter plasma coupling, and limits shield coating

## NEW SYSTEM INSTALLATIONS:

- Our compact design allows chamber design flexibility and the ability to install more cathodes in your system
- Integrate with TRM-Bar™, QRM-Bar™ or mQRM-Bar™ magnetics and e-Cathode™ systems - ready to install



Patented MM-Series External Mount End Block

Average End Block Weight: 30 kg

## UPGRADE PLANARS TO ROTARIES:

- Coater modification and integration support available
- Switch between planars and sidemounts in the same position

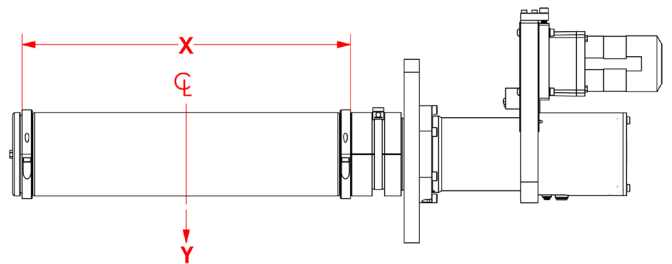
## CANTILEVER CAPABILITY:

Metric:  $XY/2 + 16X^2 \leq 92$

Imperial:  $XY/2 + 0.9X^2 \leq 8,000$

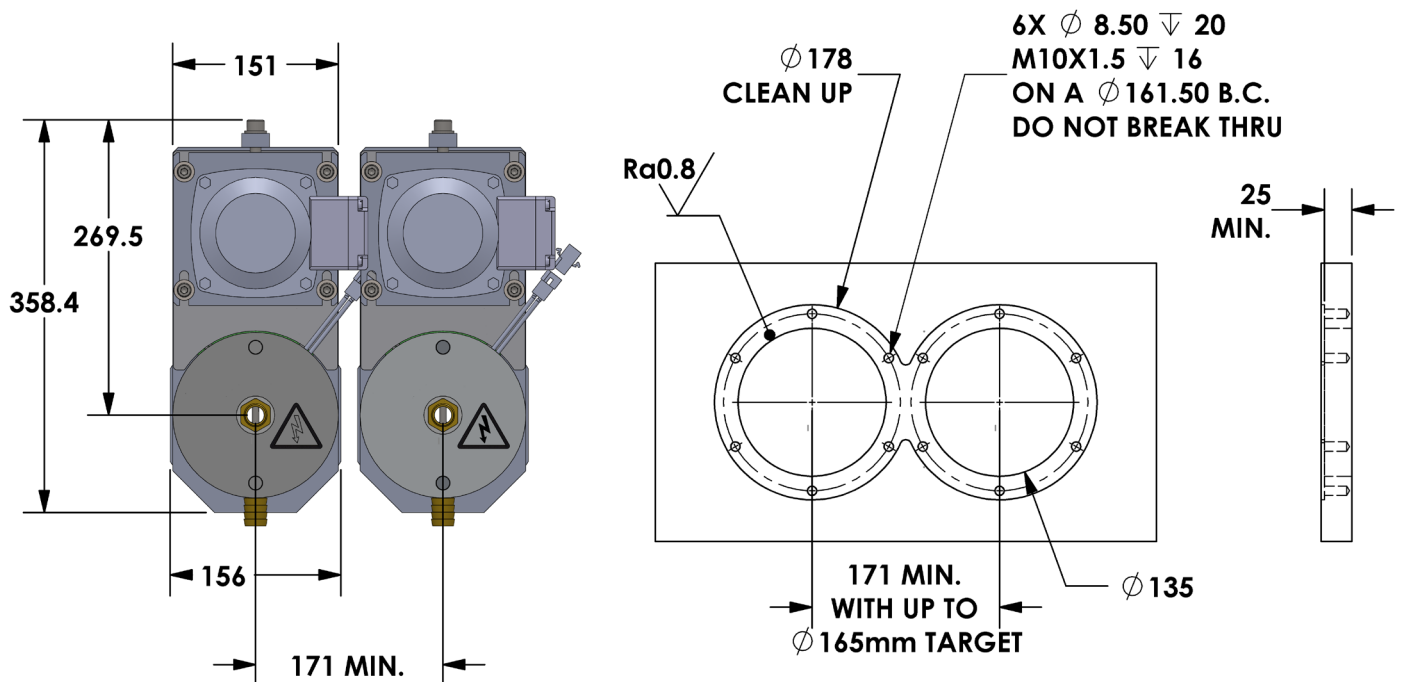
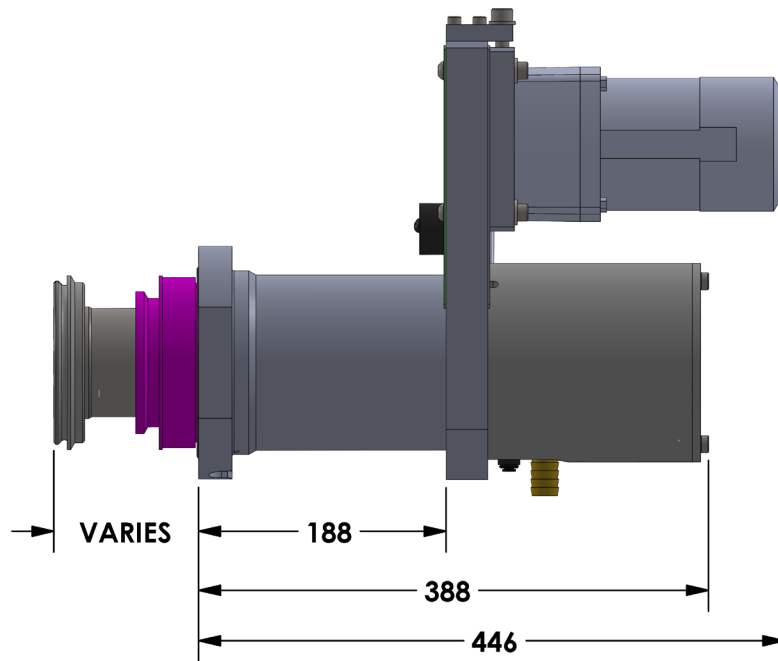
X = Backing tube length (meters or inches)

Y = Weight of target (kg or lbs only)



Model	Power	V/A	Target (mm)
MM	Up to 100kW DC or 80 kHz MFAC	1500V/225A	Up to 2500

The MM-Series external mount end block uses the same patented technology as our MC-Series end block to deliver outstanding value, performance, and reliability in a compact design



**NOTE: THICKER THAN 25mm PLATE IS RECOMMENDED TO INCLUDE A PILOT BORE FOR THE CATHODE.**