

cMC-Series Internal-Mount End Block

The cMC is designed to directly replace the Soleras compact end block or to use in new systems.

Upgrade from planar systems to increase the output and quality of your existing coater.

SCI can provide coater integration support.



Patented cMC end block

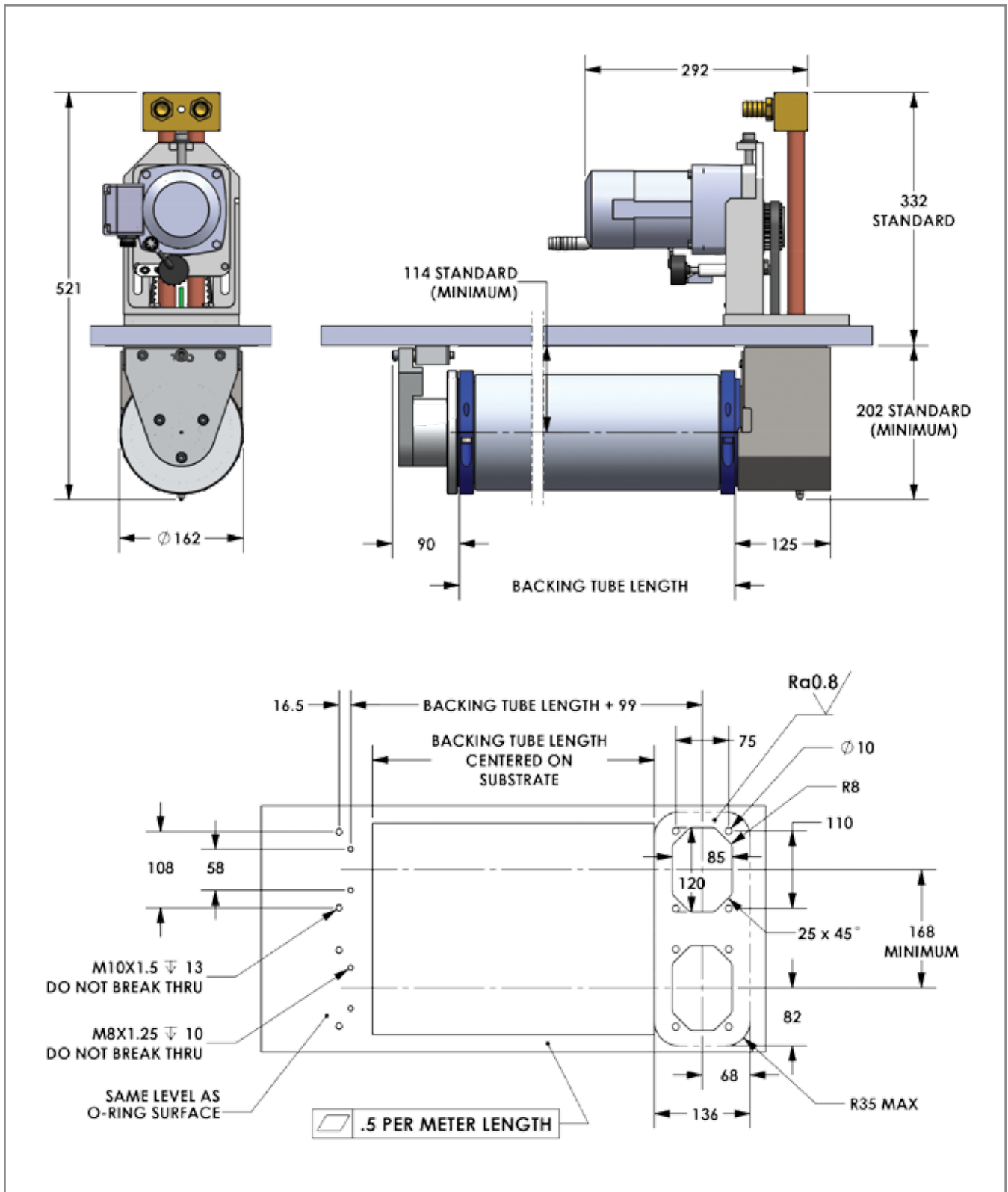
TECHNICAL SPECIFICATIONS

Maximum Power	▶ 80 kW DC or MFAC
V/A	▶ 1500 V 180 A
Maximum Target Length	▶ 2000 mm
Maintenance	▶ 1 hr./yr. average 3 hrs. for a rebuild



Outboard support assembly





Dimensions in mm