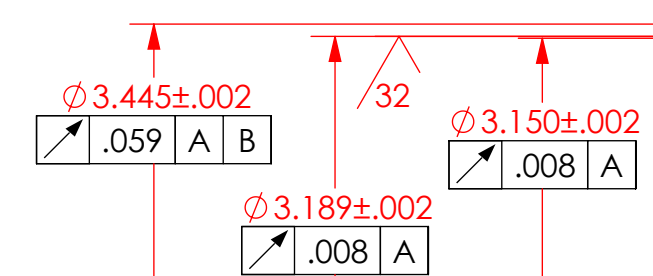
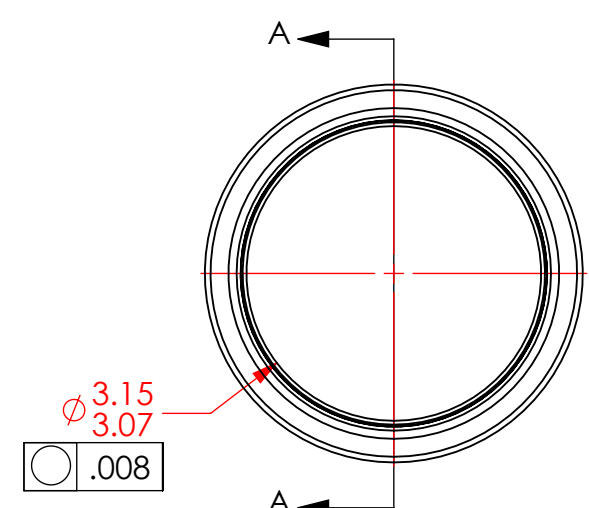
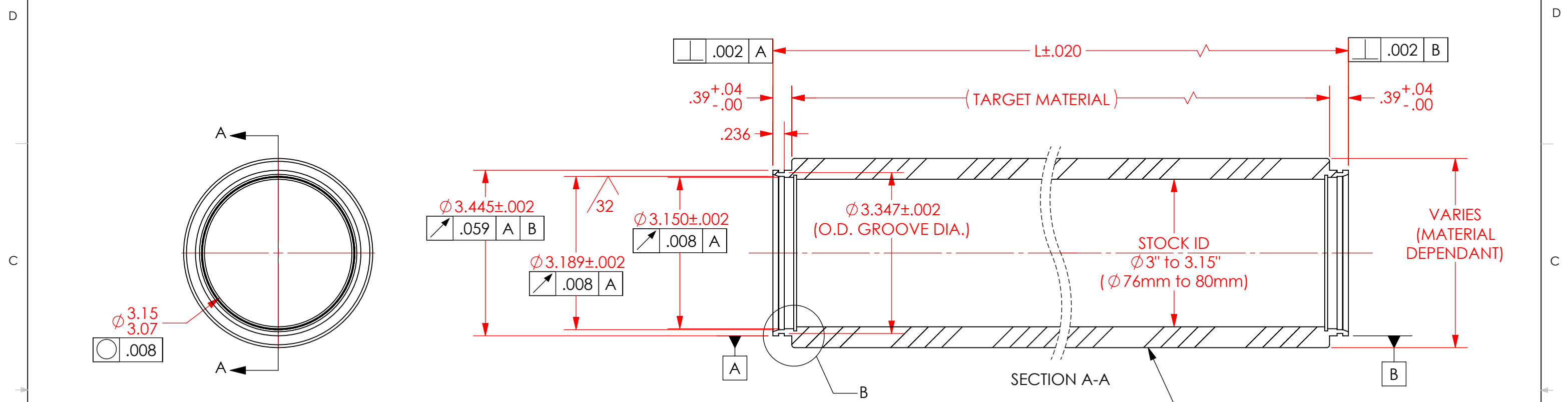
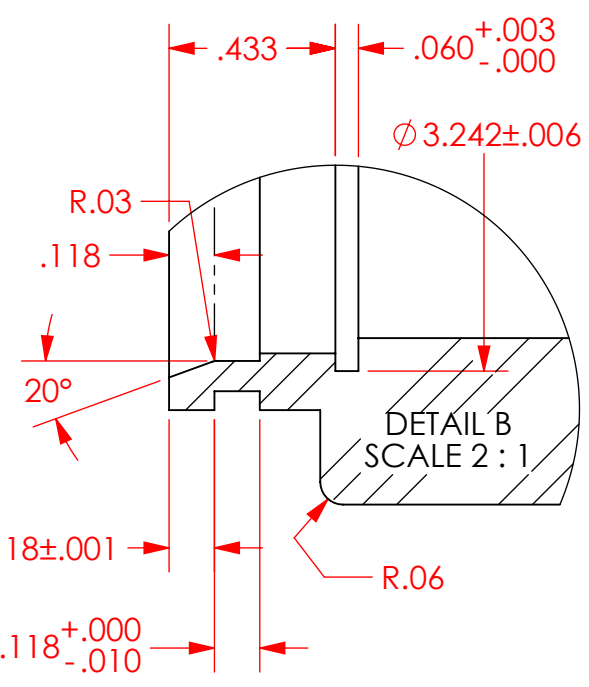


SMALLEY RETAINING RING (108733, VHM-80-S02) IS TO BE PLACED INSIDE THE BOTTOM INTERNAL GROOVE TO KEEP THE MAGNET BAR INSIDE THE TARGET TUBE FOR VERTICAL TARGET CHANGE. GROOVE NOT REQUIRED IF HORIZONTAL TARGET CHANGE.

REVISIONS			
REV.	DESCRIPTION	DATE	APPROVED



NOTE: DIMENSIONS ARE TYPICAL ON BOTH ENDS OF THE PART.



- NOTES:**
- BREAK AND DEBURR ALL EDGES .010in. MAX.
 - CLEAN PART FOR USE IN A VACUUM ENVIRONMENT.
 - PACKAGE PART TO PROTECT FROM DAMAGE AND TO ENSURE CLEANLINES.

UNLESS OTHERWISE SPECIFIED:		SPUTTERING COMPONENTS, INC.			
BREAK ALL CORNERS .015 Typ.		375 Alexander Dr. SW, Owatonna, MN 55060			
imperial	metric	CONFIDENTIAL: UNAUTHORIZED USE, MANUFACTURE OR REPRODUCTION IN WHOLE OR IN PART IS PROHIBITED.			
X.0 = ± .030	X.0 = ± 1	PROPRIETARY TO: SPUTTERING COMPONENTS, INC.			
0.X = ± .015	0.X = ± .5	TITLE: 80mm ID TARGET, INCH			
0.XX = ± .010	0.XX = ± .25	WEIGHT	SIZE	DATE DRAWN	PART NO. 80T-I
0.XXX = ± .005	0.XXX = ± .125	DRAWN BY Michelle Neal	B	04/28/2015	MOD NO.
DO NOT SCALE DRAWING		MATERIAL: VARIES		FINISH:	SCALE 1:2
					REV -02
					SHEET 1 OF 1