

# CM-Series External-Mount End Block

The CM-Series external-mount end block combines high performance and reliability in a compact and lightweight package.

## Features

- Customizable drive shaft length
- Compact and flexible design
- Easy access water seal cartridge
- Patented power-delivery technology
- Patented water fill and drain
- Simple design for fewer parts
- Magnet bar externally adjusts to any angle

## Benefits

- Wider substrate coverage than internal end blocks
- Fits most chamber designs
- All utilities are external and remain attached during target changes
- High packing density: dual cathodes in a 220 mm space (with an 80 mm ID target)
- Drive motors have 360° positioning
- Excellent power capability with no inductive heating impact: no brush dust
- Fast, simple in-house maintenance
- Allows co-sputtering, tighter plasma coupling, and limits shield coating

## Installations

### New systems

- The compact design allows chamber design flexibility and the ability to install more cathodes in your system
- Integrates with SCI magnetics and complete e-Cathode™ process lid systems, ready to install

### Upgrade from planar systems

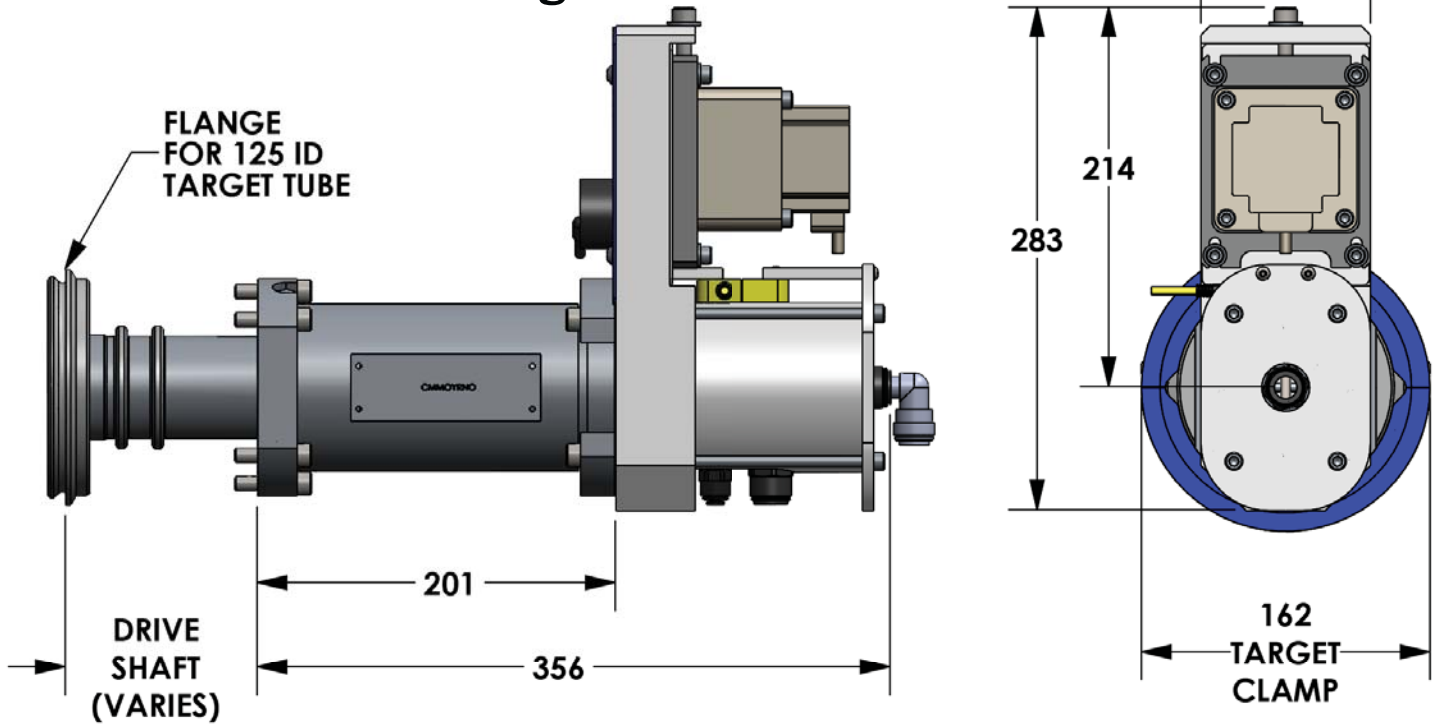
- Replaces planars with outside mounts in the same position
- Coater modification and integration support available



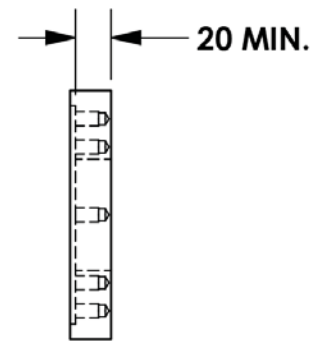
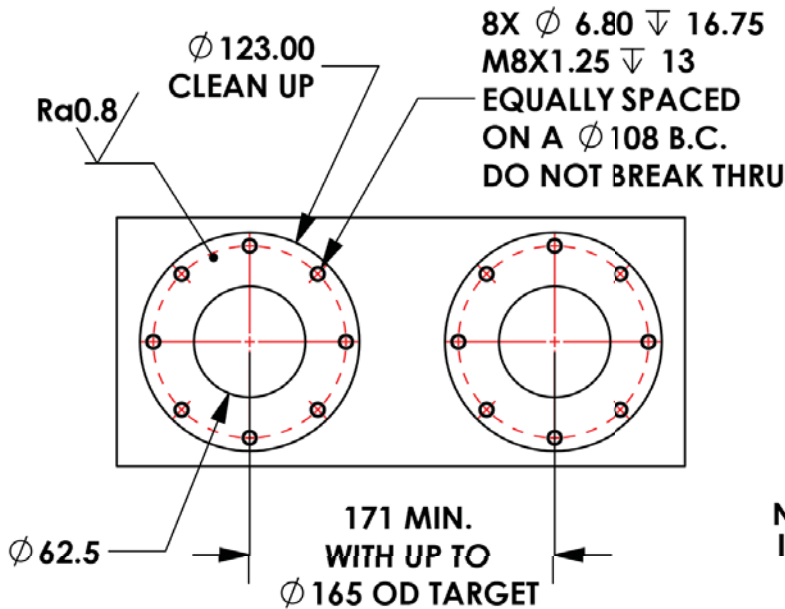
Patented CM-Series external-mount end block

Maximum power	Up to 20 kW DC or 80 kHz MFAC
V/A	1500 V / 50 A
Maximum target length	1000 mm

# CM with 125 mm ID target



95mm MINIMUM DRIVE SHAFT WITH A 20mm WALL  
(36mm MINIMUM WITH SPECIAL PARTS)



NOTE: THICKER THAN 20mm PLATE IS RECOMMENDED TO INCLUDE A PILOT BORE FOR THE CATHODE.

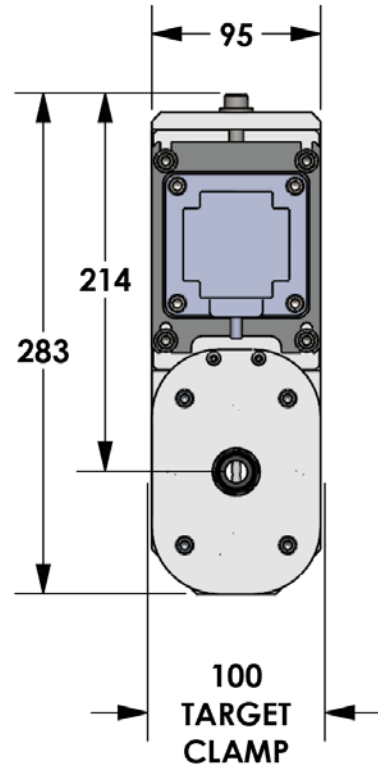
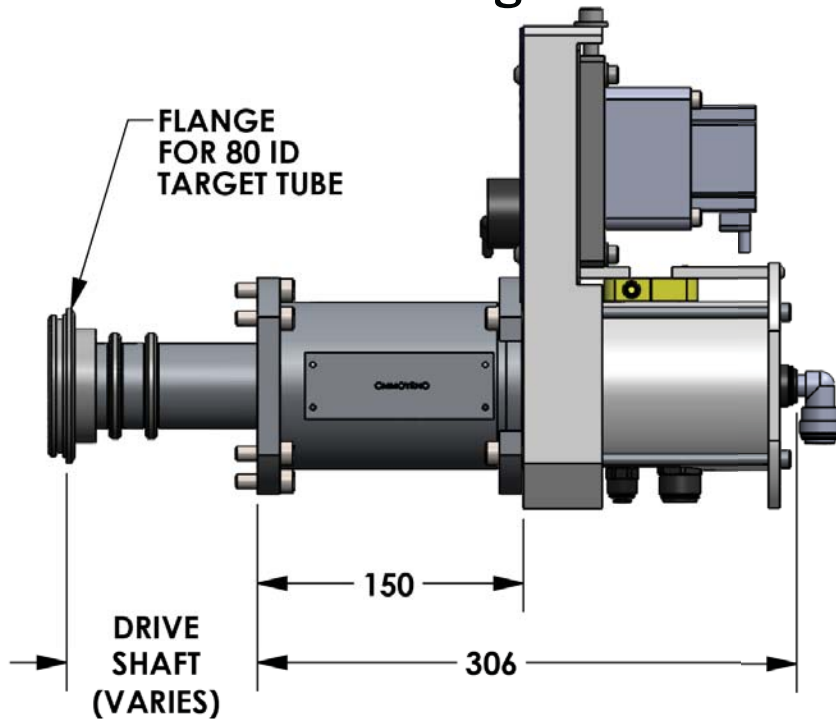
## Cantilever capability

Metric:  $XY/2 + 16X^2 \leq 23$   
Imperial:  $XY/2 + 0.9X^2 \leq 2000$

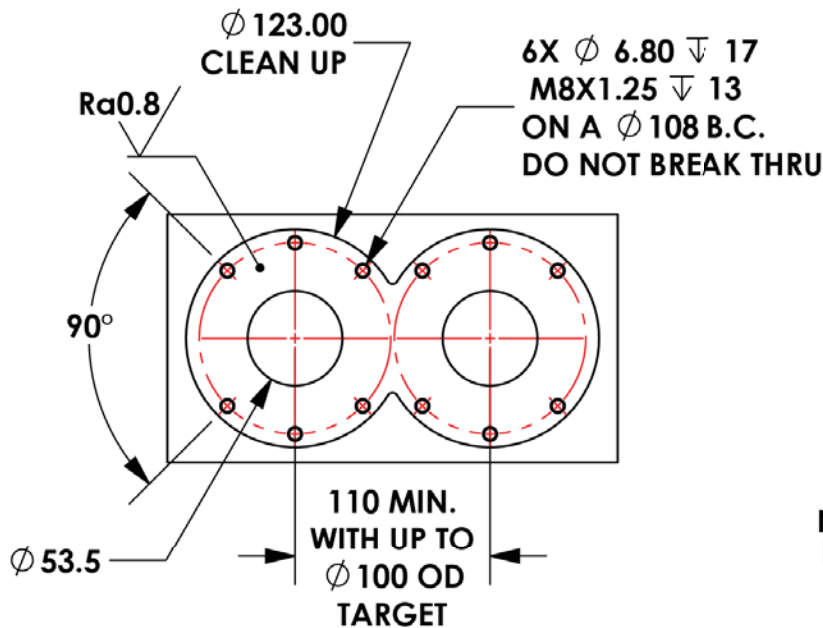
X = Backing tube length (meters or inches)  
Y = Weight of target (kg or lb only)

Dimensions in mm

## CM with 80 mm ID target



80mm MINIMUM DRIVE SHAFT WITH A 20mm WALL  
(40mm MINIMUM WITH SPECIAL PARTS)



**NOTE: THICKER THAN 20mm PLATE IS RECOMMENDED TO INCLUDE A PILOT BORE FOR THE CATHODE.**

Dimensions in mm

## Cantilever capability

Metric:  $XY/2 + 16X^2 \leq 11.5$

Imperial:  $XY/2 + 0.9X^2 \leq 1000$

X = Backing tube length (meters or inches)

Y = Weight of target (kg or lb only)

375 Alexander Drive, Owatonna, MN USA • 507-455-9140  
sales@sputteringcomponents.com • www.sputteringcomponents.com

Rev H • Copyright © 2018 by Sputtering Components, Inc.