

Internal-Mount End Block **MC-Swing**

For mounting inside a vacuum chamber, the new MC Swing Cathode™ accommodates larger substrates and can replace planar cathodes without modifying the chamber.

The magnet pack swings in a programmable rotary axis that is independent of the rotating target tube, making it an ideal system for display or 3D part coating.

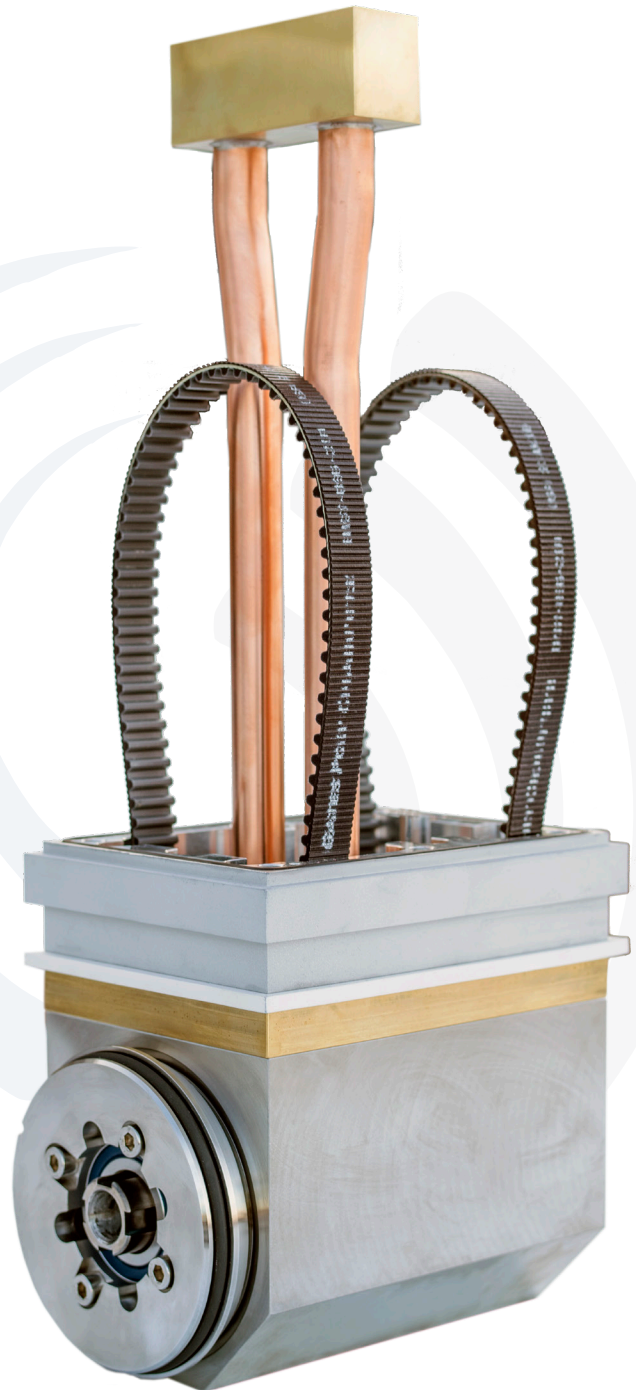
Uniformity of $< \pm 1\%$ can be achieved on a static substrate (compared to $> \pm 15\%$ on static substrates when not using swing).

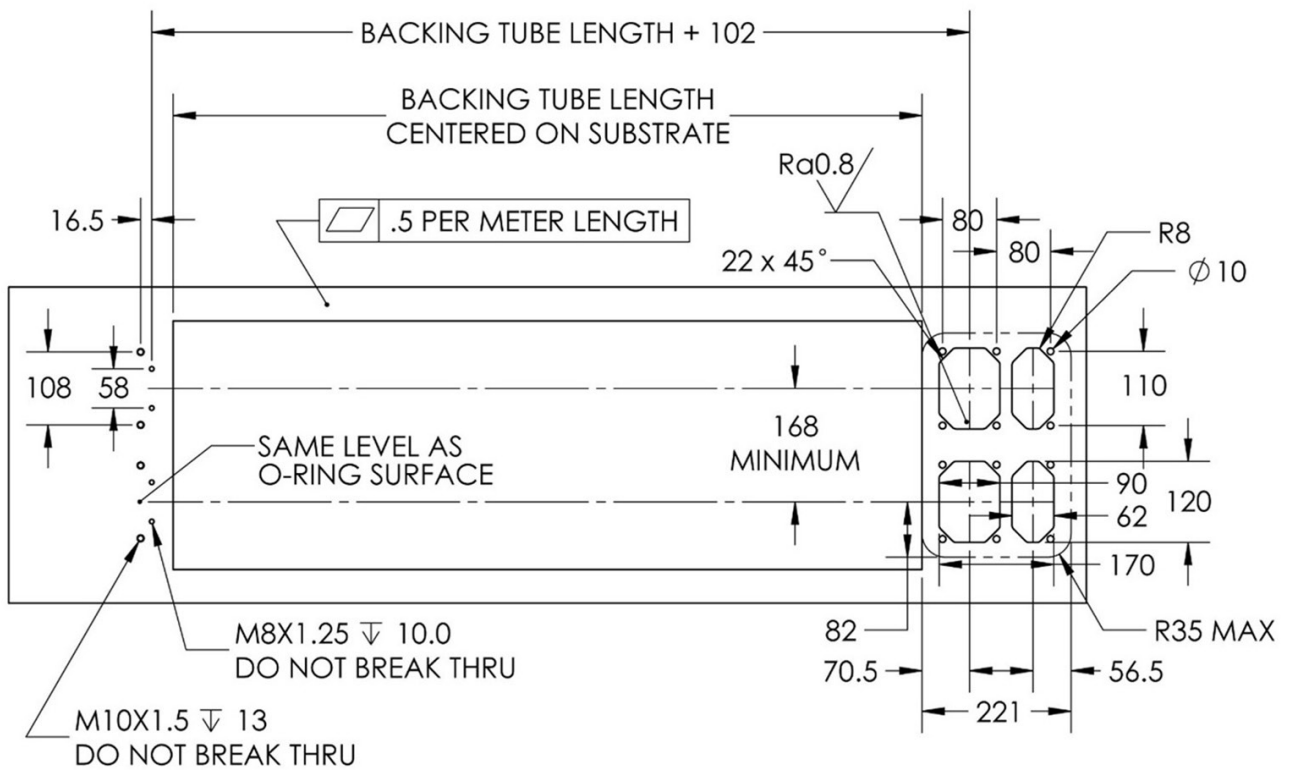
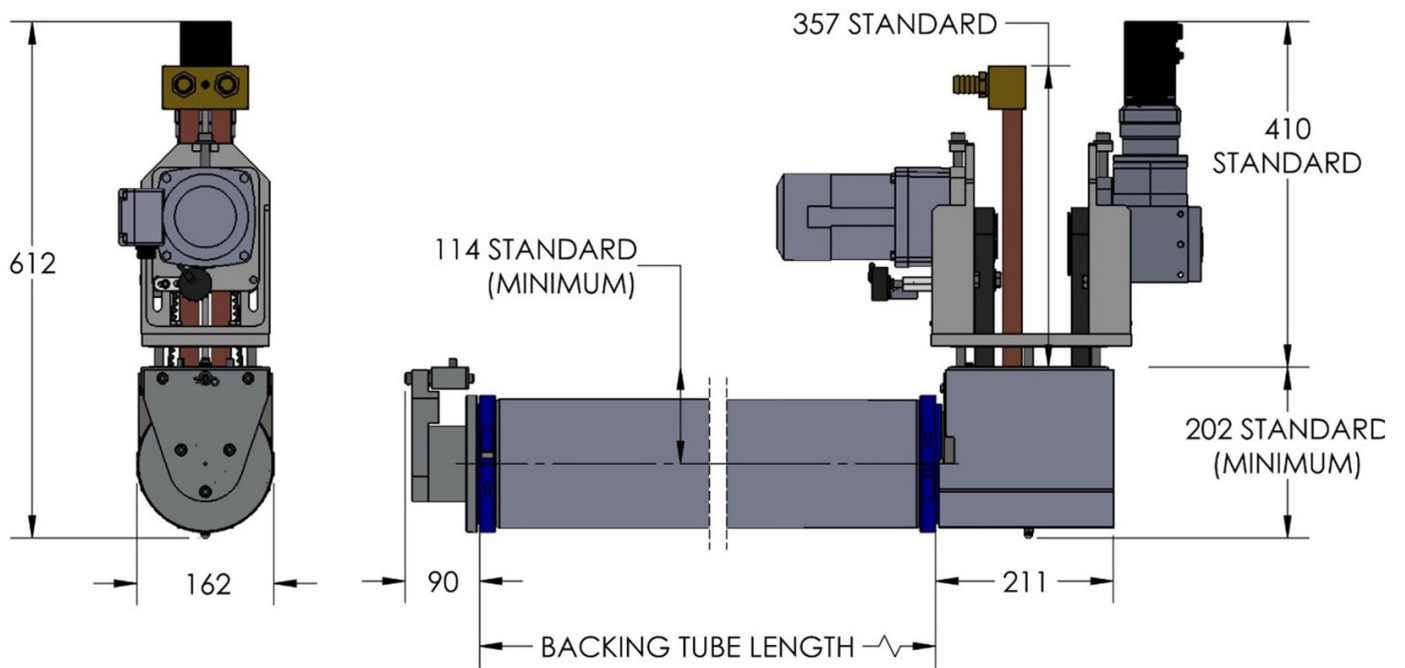
Other uses for Swing Cathodes™ are to pivot the magnet bar to a burn in location or to make magnet bar position adjustments via remote control.

Our Swing Duo™ software helps determine motion profiles.

TECHNICAL SPECIFICATIONS

Electrical rating	▶ 100 kW 1500 V / 225 A (DC or 80 kHz AC)
Mounting	▶ Any orientation
Target	▶ 125 mm ID 2500 mm max. length
Maximum load	▶ 1000 kg horizontal 200 kg vertical
Vacuum seal leak rate	▶ $< 3 \times 10^{-7}$ mbar·L/s
Maintenance (typical)	▶ Seal kit and bushings every 2 years (1 hr); Static seals, bearings and belt after 10 years (3 hr)





Dimensions in mm