

MM-Series External-Mount End Block

Using the same patented technologies as our MC, the MM-Series external-mount end block provides outstanding value, performance and reliability.

Features

- Customizable drive shaft length
- Compact and flexible design
- Easy access water seal cartridge
- Patented power-delivery technology
- Patented water fill and drain
- Simple design for fewer parts
- Magnet bar externally adjusts to any angle

Benefits

- Wider substrate coverage than internal end blocks
- Fits most chamber designs
- All utilities are external and remain attached during target changes
- High packing density; dual cathodes in a 350 mm space
- Drive motors can be mounted up or down and inward or outward
- High power with no inductive heating impact - no brush dust
- Fast, simple in-house maintenance
- Allows co-sputtering, tighter plasma coupling, and limits shield coating

Installations

New systems

- The compact design allows chamber design flexibility and the ability to install more cathodes in your system
- Integrates with SCI magnetics and complete e-Cathode™ process lid systems, ready to install

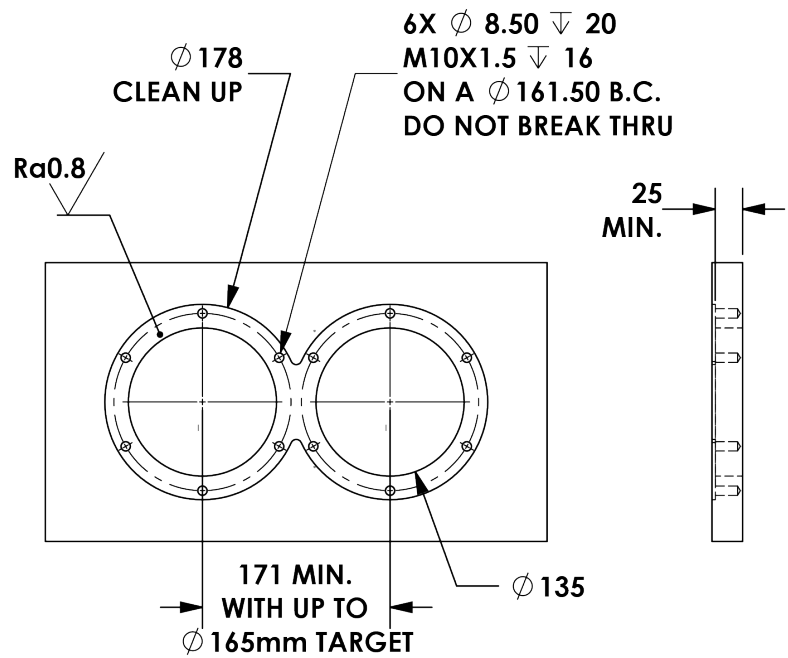
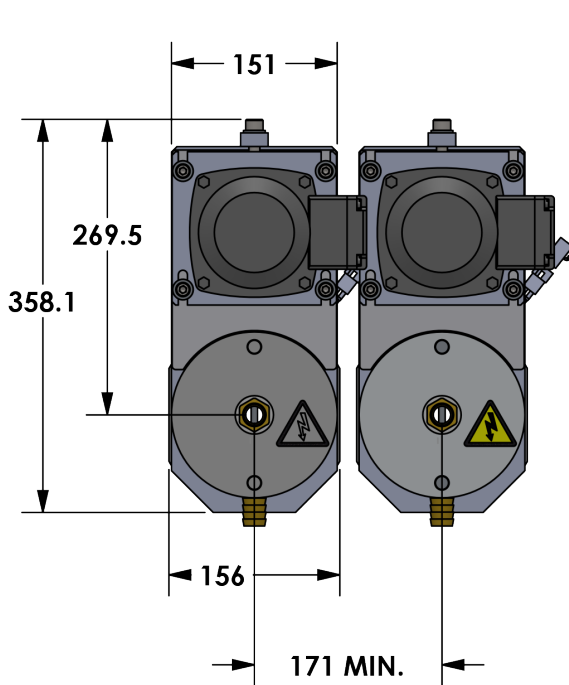
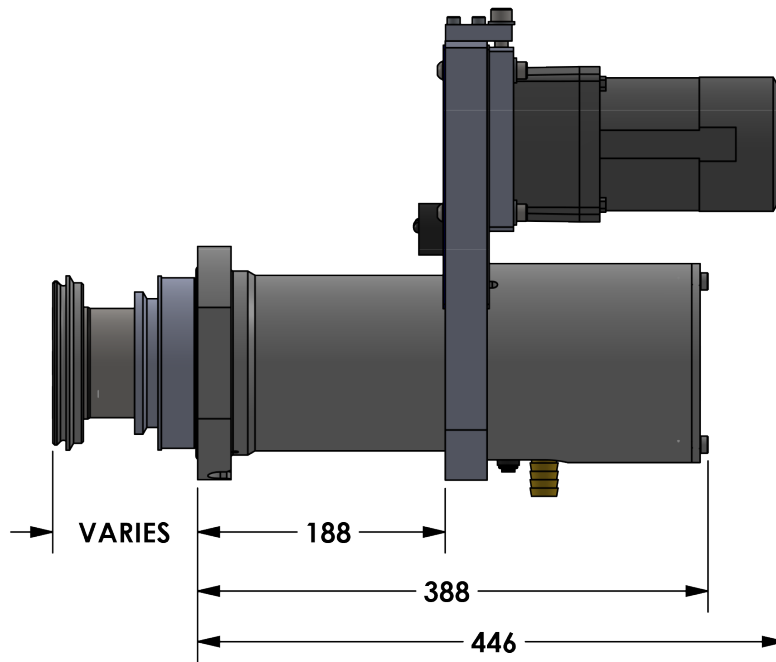
Upgrade from planar systems

- Replaces planars with outside mounts in the same position
- Coater modification and integration support available



Patented MM-Series external-mount end block

Maximum power	Up to 100 kW DC or 80 kHz MFAC
V/A	1500 V / 225 A
Maximum target length	2500 mm
Guarantee	



Cantilever capability

Metric: $XY/2 + 16X^2 \leq 92$

Imperial: $XY/2 + 0.9X^2 \leq 8000$

X = Backing tube length (meters or inches)

Y = Weight of target (kg or lb only)

NOTE: THICKER THAN 25mm PLATE IS RECOMMENDED TO INCLUDE A PILOT BORE FOR THE CATHODE.

Dimensions in mm