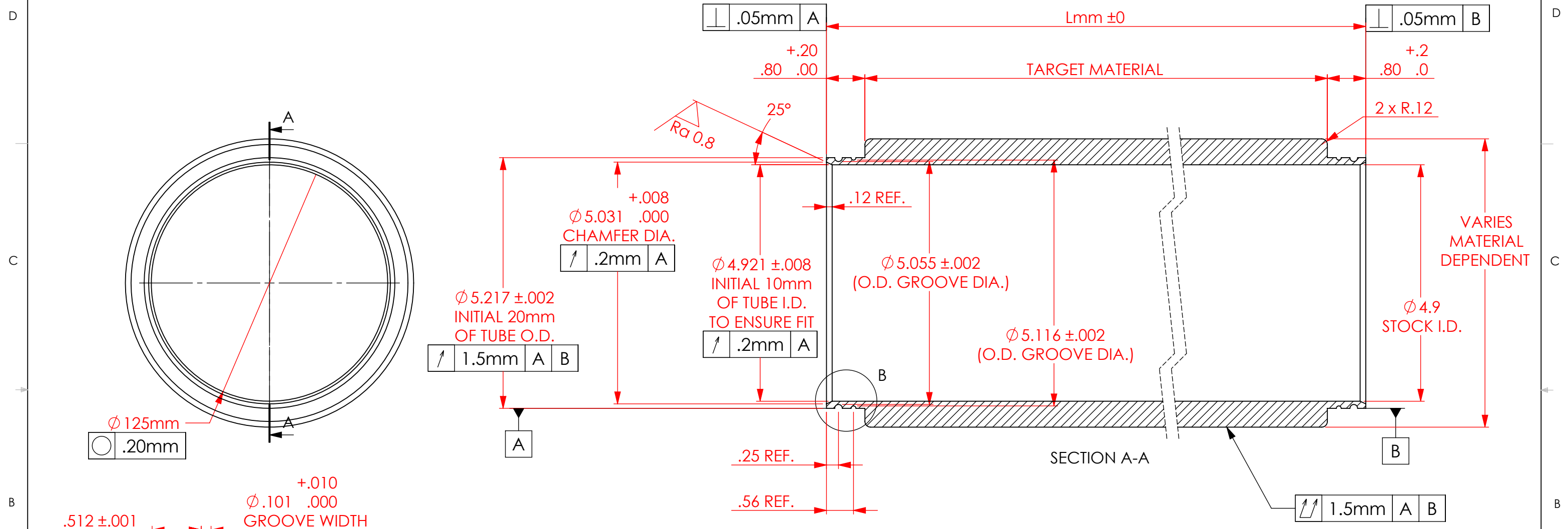


REVISIONS				
ZONE	REV.	DESCRIPTION	DATE	APPROVED
	A	UPDATED TOLERANCING	2/8/2010	DC
	B	ADDED NOTE	3/2/2016	DC/MN



**NOTE: DIMENSIONS ARE TYPICAL ON BOTH ENDS OF THE PART. FOR OUT OF ROUND TUBES, ENDS MUST BE BORED TO DIMENSION SHOWN.**

- NOTES:**
- BREAK AND DEBURR ALL EDGES .25mm MAX.
  - CLEAN PART FOR USE IN A VACUUM ENVIRONMENT.
  - PACKAGE PART TO PROTECT FROM DAMAGE AND TO ENSURE CLEANLINESS.
  - THIS MONOLITHIC TARGET DESIGN MAY NOT SUPPORT ALL TARGET MATERIALS. CONSULT SCI WITH ANY QUESTIONS.**

<b>UNLESS OTHERWISE SPECIFIED:</b>	
BREAK ALL CORNERS .015 Typ.	
ALL MACHINED SURFACES TO BE $\sqrt{63}$	
IMPERIAL	METRIC
X = ± .030	X = ± 1
0.X = ± .015	0.X = ± .5
0.XX = ± .010	0.XX = ± .25
0.XXX = ± .005	0.XXX = ± .125
DRAWN BY	
<b>DO NOT SCALE DRAWING</b>	

**SPUTTERING COMPONENTS, INC.**  
375 Alexander Dr. SW, Owatonna, MN 55060

TITLE: **SCI METRIC TARGET FOR CANTILEVER**

SIZE <b>B</b>	DATE DRAWN	PART NO. SCTC	SCALE 1:2	REV B
MATERIAL: VARIES		MOD NO.	FINISH:	

SHEET 1 OF 1