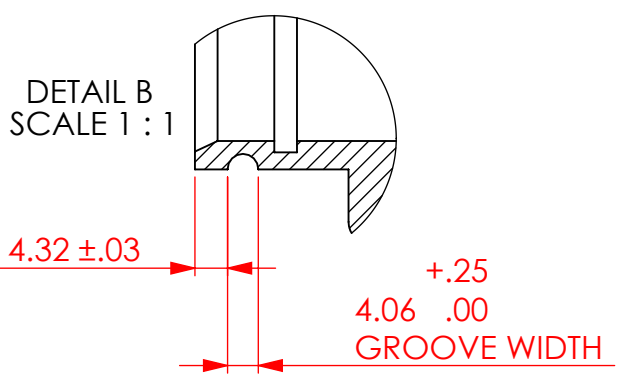
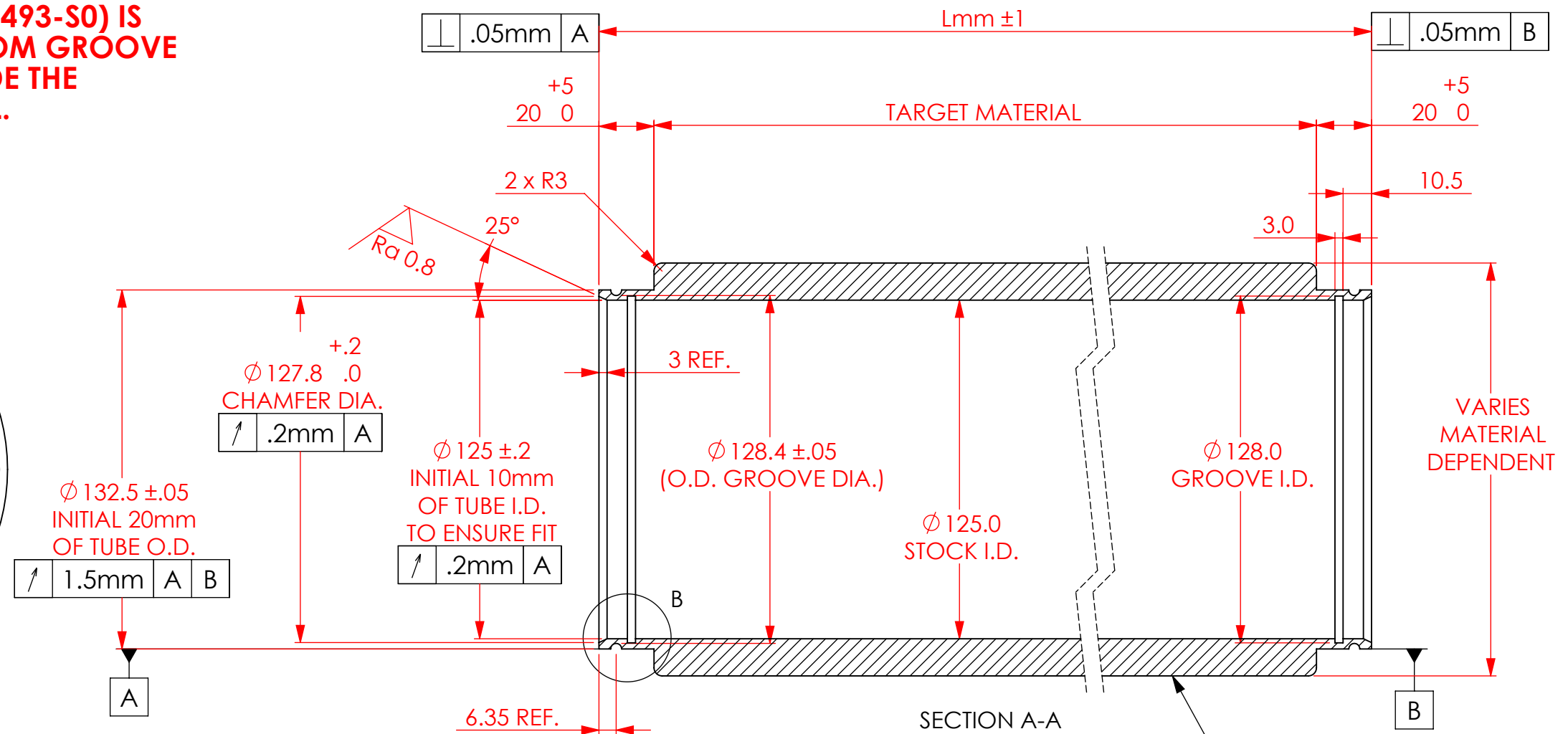
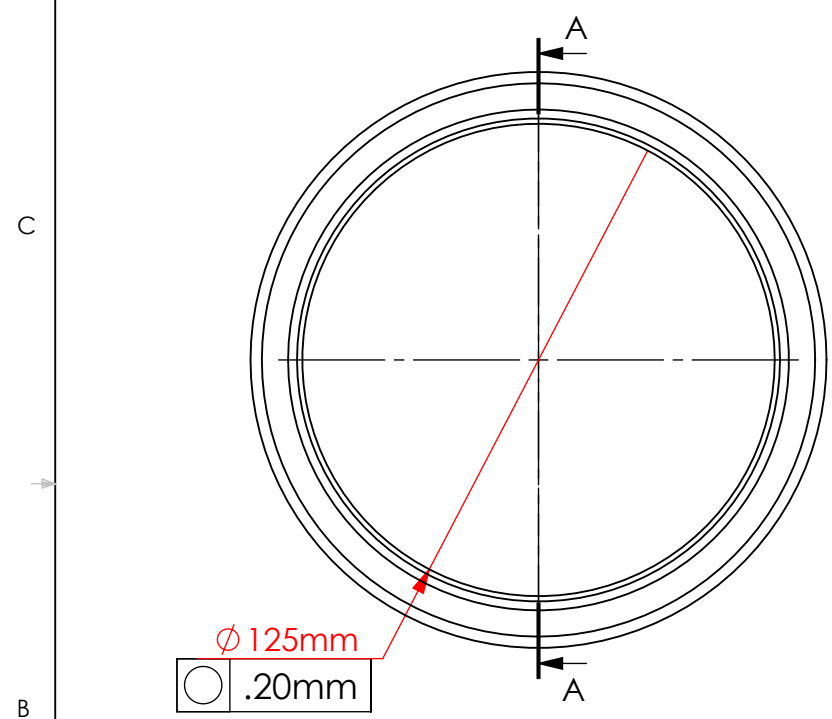


REVISIONS				
ZONE	REV.	DESCRIPTION	DATE	APPROVED
	A	UPDATED TOLERANCING	2/8/2010	DC
	B	ADDED NOTE	5/9/2012	DC/MN
	C	ADDED NOTE	3/2/2016	DC/MN

THIS BACKING TUBE IS ONLY NEEDED WHEN VERTICAL TARGET CHANGE IS REQUIRED.

SMALLEY RETAINING RING (WH-493-S0) IS TO BE PLACED INSIDE THE BOTTOM GROOVE TO KEEP THE MAGNET BAR INSIDE THE TARGET TUBE DURING REMOVAL.



NOTE: DIMENSIONS ARE TYPICAL ON BOTH ENDS OF THE PART. FOR OUT OF ROUND TUBES, ENDS MUST BE BORED TO DIMENSION SHOWN.

- NOTES:**
- BREAK AND DEBURR ALL EDGES .25mm MAX.
 - CLEAN PART FOR USE IN A VACUUM ENVIRONMENT.
 - PACKAGE PART TO PROTECT FROM DAMAGE AND TO ENSURE CLEANLINESS.
 - THIS MONOLITHIC TARGET DESIGN MAY NOT SUPPORT ALL TARGET MATERIALS. CONSULT SCI WITH ANY QUESTIONS.**

UNLESS OTHERWISE SPECIFIED:

BREAK ALL CORNERS .015 Typ.	
imperial	metric
X.0 = ± .030	X.0 = ± 1
0.X = ± .015	0.X = ± .5
0.XX = ± .010	0.XX = ± .25
0.XXX = ± .005	0.XXX = ± .125

WEIGHT: _____

DRAWN BY: Michelle Neal

DO NOT SCALE DRAWING

SPUTTERING COMPONENTS, INC.
375 Alexander Dr. SW, Owatonna, MN 55060

TITLE: **SCI METRIC TARGET WITH RETAINER**

SIZE: B	DATE DRAWN: 10/9/2009	PART NO.: SCTR	SCALE: 1:2	REV: C
MATERIAL: VARIES		FINISH: _____		SHEET 1 OF 1