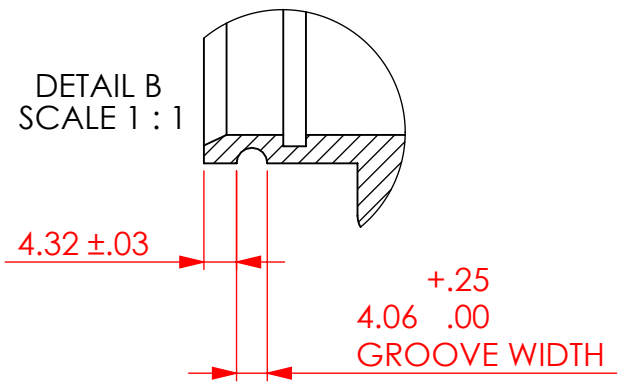
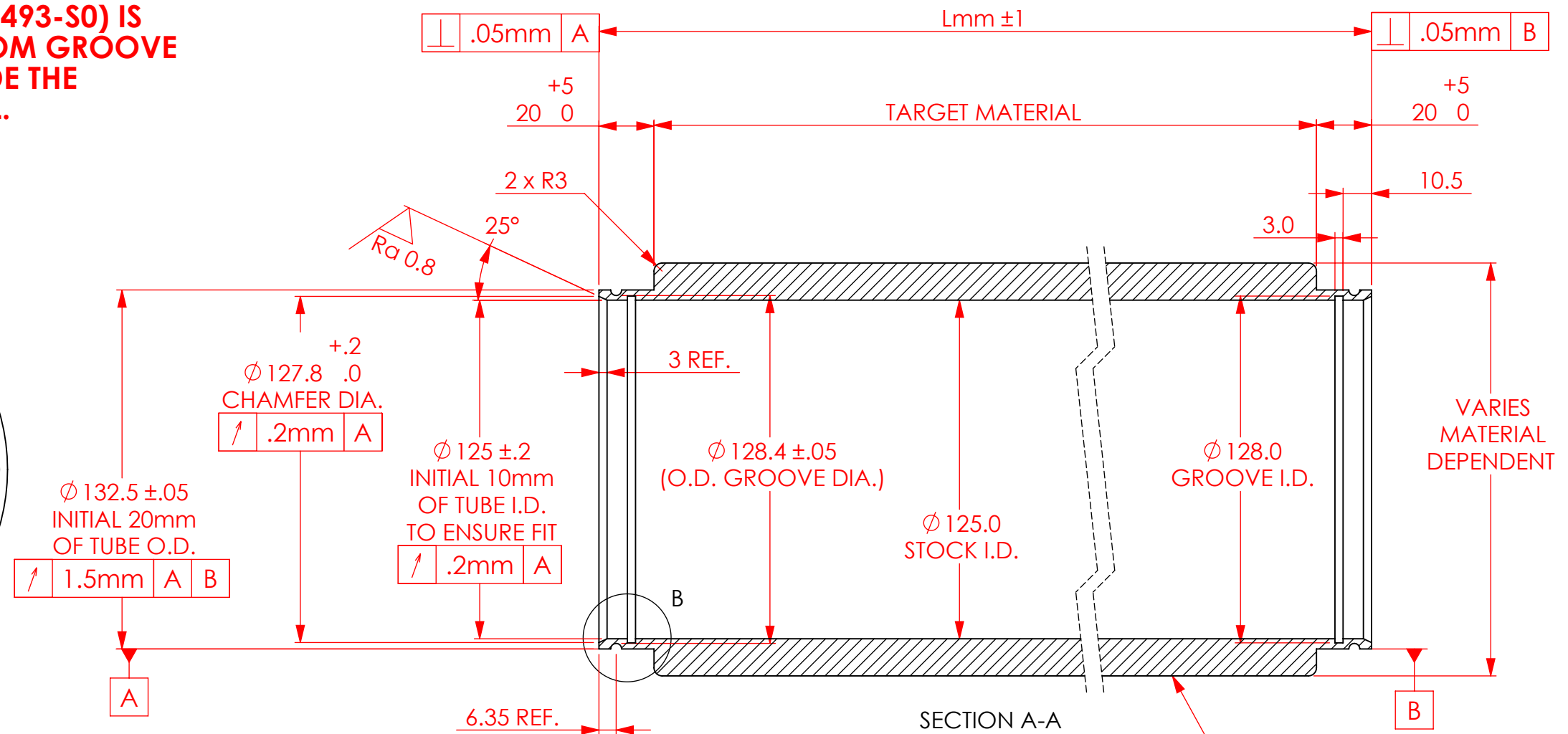
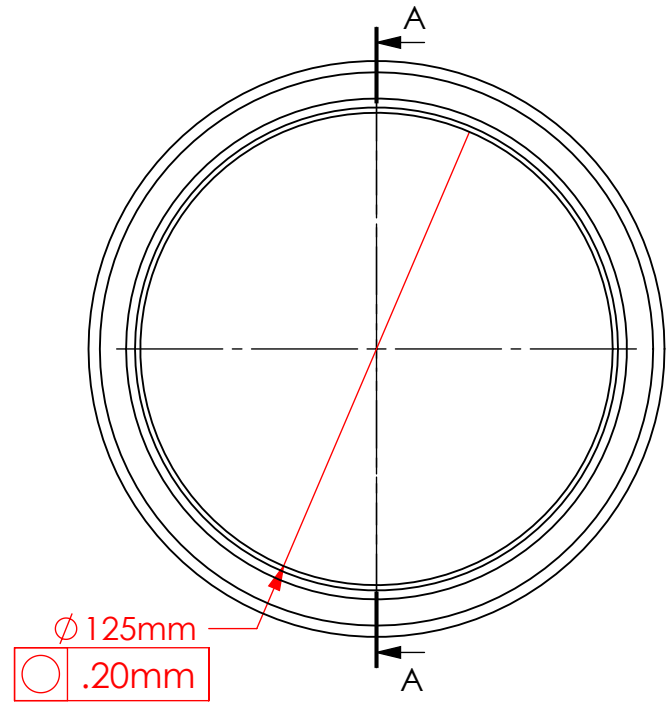


REVISIONS				
ZONE	REV.	DESCRIPTION	DATE	APPROVED
	A	UPDATED TOLERANCING	2/8/2010	DC
	B	ADDED NOTE	5/9/2012	DC/MN

THIS BACKING TUBE IS ONLY NEEDED WHEN VERTICAL TARGET CHANGE IS REQUIRED.

SMALLEY RETAINING RING (WH-493-S0) IS TO BE PLACED INSIDE THE BOTTOM GROOVE TO KEEP THE MAGNET BAR INSIDE THE TARGET TUBE DURING REMOVAL.



NOTE: DIMENSIONS ARE TYPICAL ON BOTH ENDS OF THE PART. FOR OUT OF ROUND TUBES, ENDS MUST BE BORED TO DIMENSION SHOWN.

- NOTES:
- BREAK AND DEBURR ALL EDGES .25mm MAX.
 - CLEAN PART FOR USE IN A VACUUM ENVIRONMENT.
 - PACKAGE PART TO PROTECT FROM DAMAGE AND TO ENSURE CLEANLINESS.

UNLESS OTHERWISE SPECIFIED:		SPUTTERING COMPONENTS, INC.			
BREAK ALL CORNERS .015 Typ.		375 Alexander Dr. SW, Owatonna, MN 55060			
imperial	metric	CONFIDENTIAL: UNAUTHORIZED USE, MANUFACTURE OR REPRODUCTION IN WHOLE OR IN PART IS PROHIBITED.			
X.0 = ± .030	X.0 = ± 1	PROPRIETARY TO: SPUTTERING COMPONENTS, INC.			
0.X = ± .015	0.X = ± .5	TITLE: SCI METRIC TARGET WITH RETAINER			
0.XX = ± .010	0.XX = ± .25	WEIGHT	SIZE	DATE DRAWN	PART NO. SCTR
0.XXX = ± .005	0.XXX = ± .125	DRAWN BY MICHELLE NEAL	B	10/9/2009	MOD NO.
DO NOT SCALE DRAWING		MATERIAL: VARIES		FINISH:	SCALE 1:2
					REV B
					SHEET 1 OF 1