

TC-Series Internal-Mount End Block

For use when space is limited, the TC-Series internal-mount end block combines high performance and reliability in our most compact design.

Features

- Patented power-delivery technology
- Unique target attachment method
- Durable, long-life rotary seals
- Most compact design available for standard, industrial targets
- Non-proprietary target design
- Fits standard target size
- Patented water fill and drain

Benefits

- Highest reliability in today's market
- Easy to install
- Fast target change
- Fast, in-house maintenance:
 - 2 hour/year average
 - 3 hour end block rebuild
- Very low maintenance cost
- Accommodates targets from any vendor
- Excellent power capability with no inductive heating impact: no brush dust
- No galvanic corrosion

Installations

New systems: Available as individual end blocks, end blocks plus SCI magnetics, or complete e-Cathode™ process lid systems, ready to install

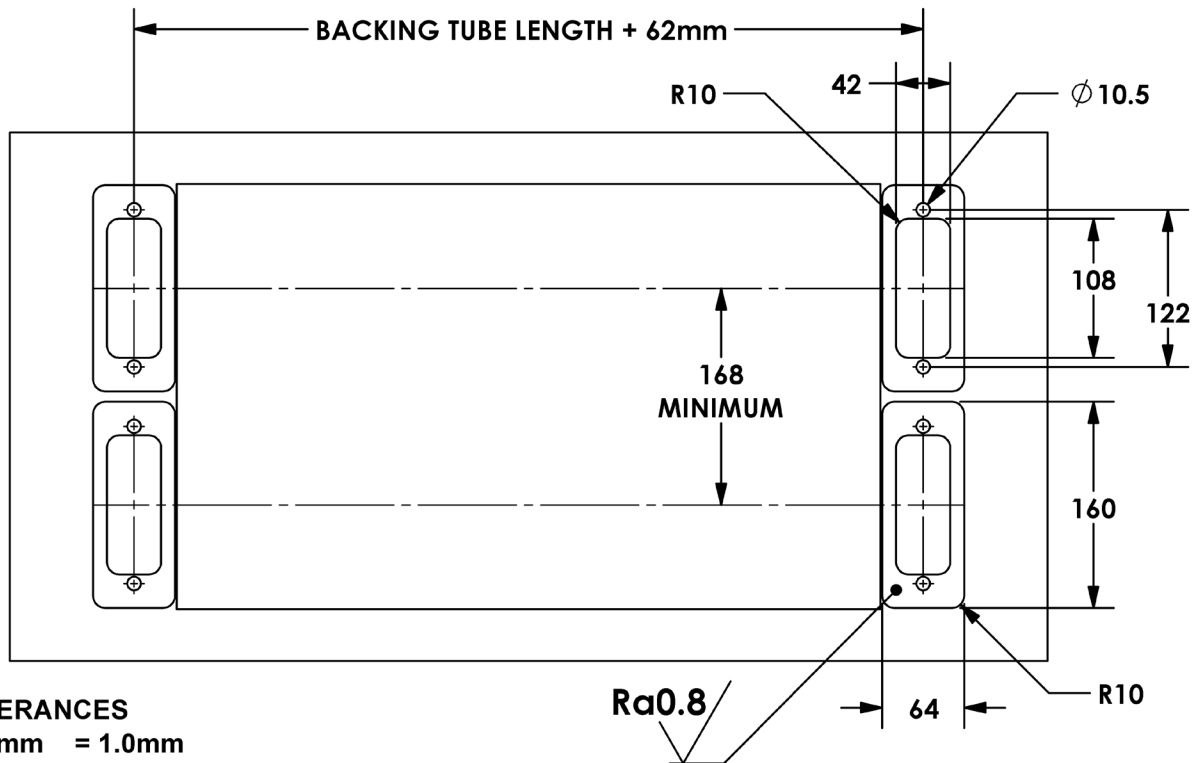
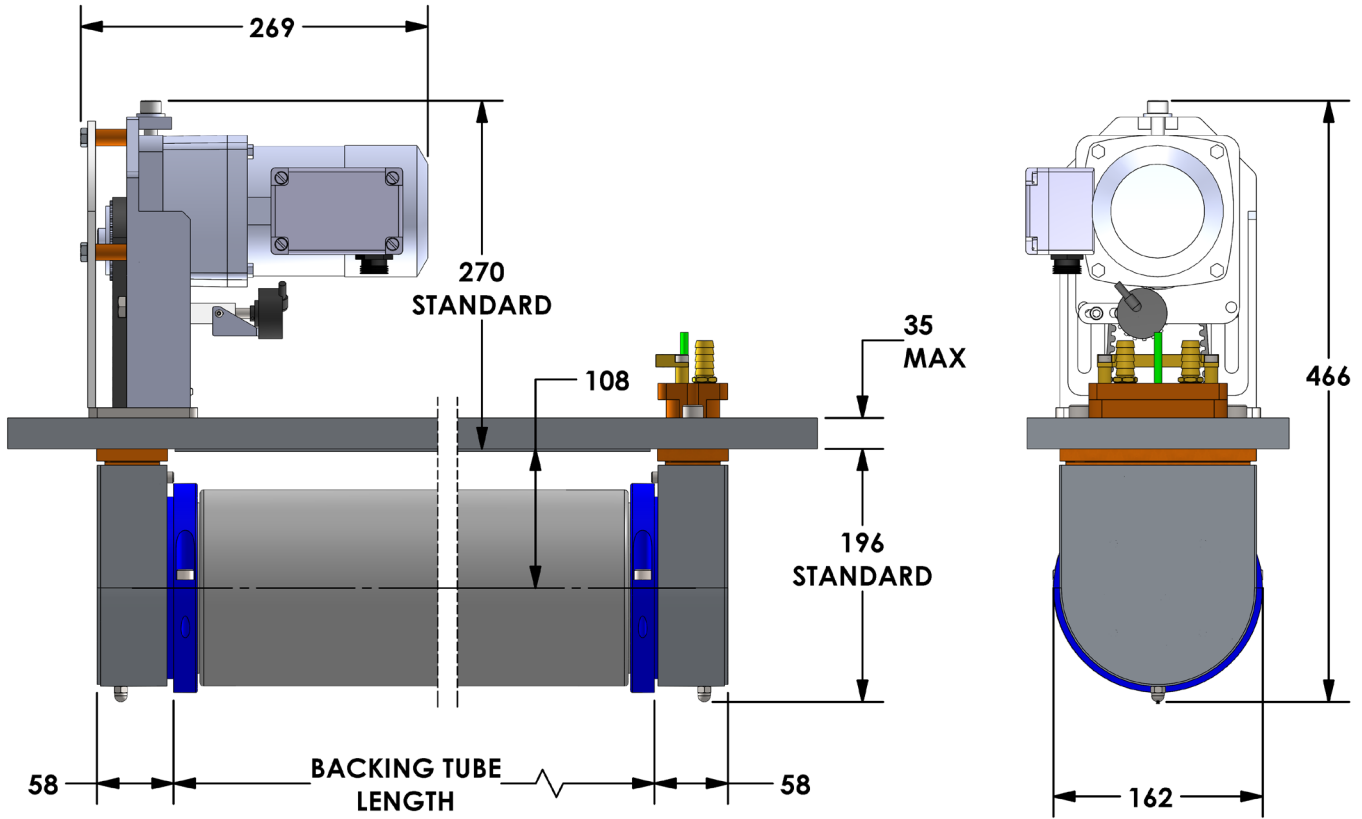
Upgrade from planar systems

- Increase the output and quality of your existing coater without adding chambers
- Coater modification and integration support available



Patented TC-Series internal-mount end block

Maximum power	40 kW DC or 80 kHz MFAC
V/A	1500 V / 100 A
Maximum target length	1500 mm



TOLERANCES
 XXXmm = 1.0mm
 XXX.Xmm = 0.1mm

Dimensions in mm